

# **ON COMMAND™** and a Tankless Water Heater

HOT WATER RECIRCULATION



**Taco On Command™ is the Perfect Match.**

Combining the On Command™ with a tankless water heater will save your customers energy dollars and preserve warranty longevity.



So if you're going tankless, **Go On Command™.**



Enjoy the soothing convenience and **comfort of hot water**

Save water, energy and money with **On Command™**

**Taco®**  
Do your **best work.®**



## If you're going tankless... Go On Command™

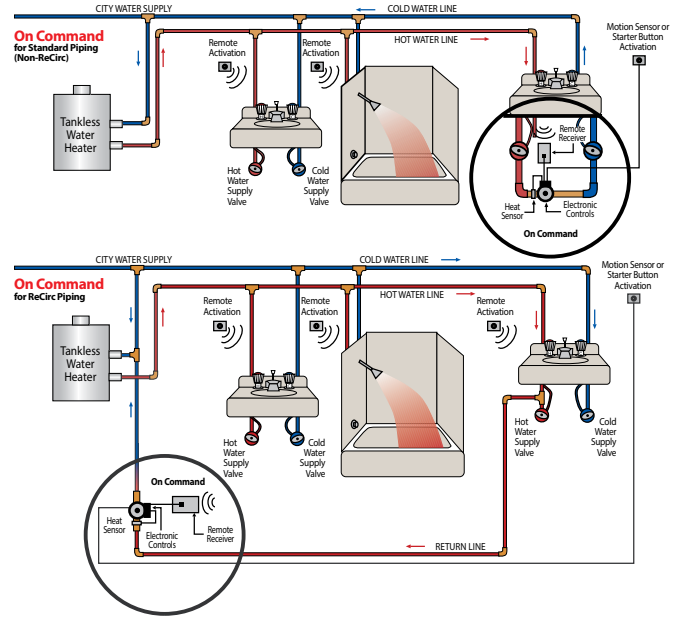
Leading tankless water heater manufacturers now recommend use of their products with a quality water recirculation system like Taco's On Command. In fact, some of those manufacturers may reduce the warranty coverage period if their product is used with a conventional timer-controlled recirculation system. Conventional water recirculation systems fitted with temperature sensors and timers are not considered "on command"... that's why choosing the Taco On Command is always the right choice.

On Command eliminates the need for a conventional recirculation system, and has been engineered to provide the head pressure needed to overcome the high pressure drops experienced with tankless water heaters.

On Command delivers hot water by push button or motion sensing – not by temperature sensor or a timer. There are no standby losses, no stack losses and no need for extra storage tanks.

NOTE: Standard plumbing and distance requires that On Command be installed between the hot and cold water line at the most distant hot water location.

Contact your local Taco wholesaler or local Taco sales representative agency.



On Command Water Recirculation System					
Product Number	Connection Sizes	Motor			Ship Weight
		Voltage	RPM	HP	
008-CT	1/2" Male NPT	115/60/1	3250	1/25	10
008-CT-USK	1/2" Male NPT, with plumbing kit	115/60/1	3250	1/25	11
0011-CF	3/4" Shut-off Flange	115/60/1	3250	1/8	14
0011-CF-USK	3/4" Shut-off Flange, with plumbing kit	115/60/1	3250	1/8	15

On Command — Accessories		
Product Number	Description	What it does
554-7	Remote transmitter, receiver kit	To start system with wireless remote control
554-8	Individual remote transmitter	For wireless remote control at multiple locations
554-3	Individual starter button	For hard-wired starter control at multiple locations
554-4	Motion Sensor Starter Kit	For automatic motion detection start

SIZING CHART		
Description	008-CT-USK	0011-CF-USK
Standard Plumbing & Distance between tankless water heater and fixture where On-Command is installed	Under 60 ft.	Over 60 ft.
Re-circulation plumbing AND Square Footage of house	Under 2,500 sq. ft.	Over 2,500 sq. ft.

C = On Command  
 T = Threaded  
 F = Flanged  
 USK = under sink kit

